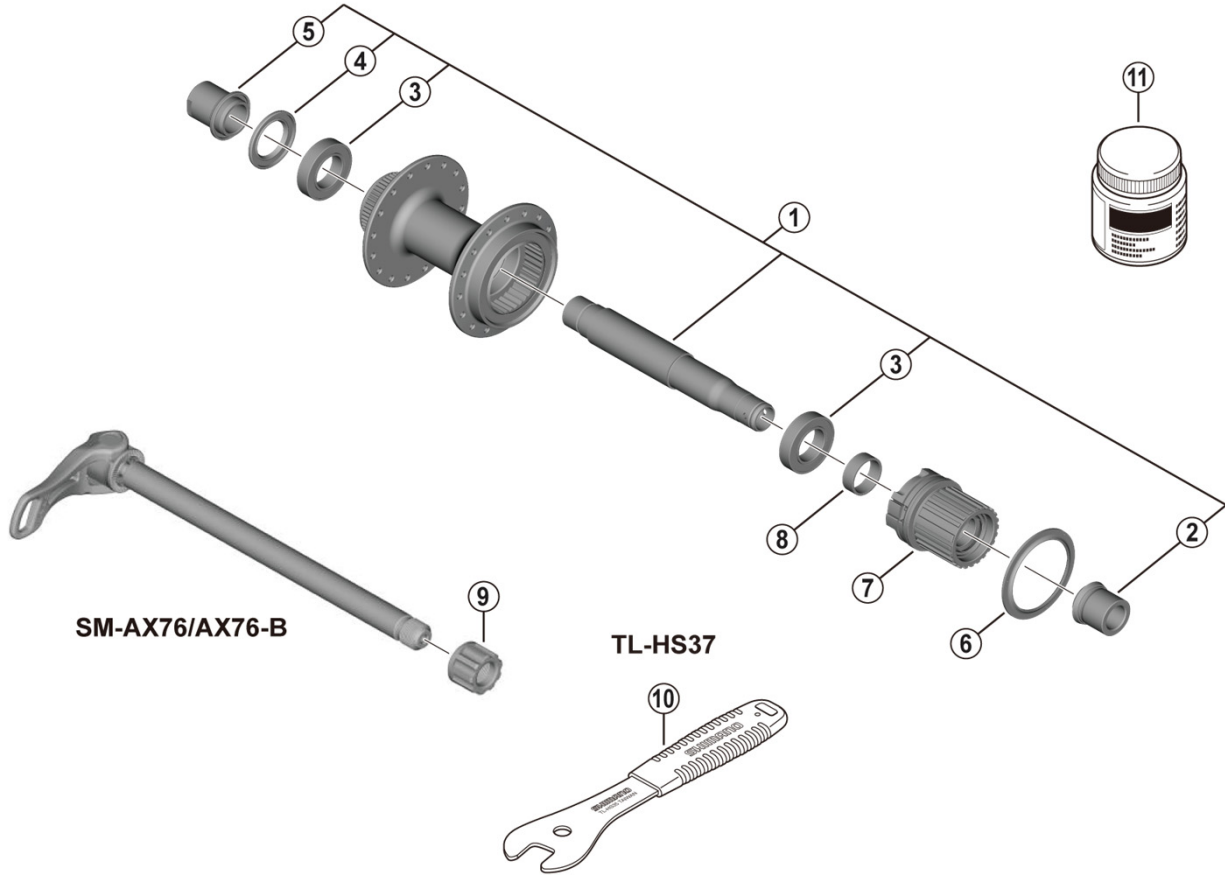


Freehub (12-speed) For Disc Brake

FH-MT410 FH-MT410-B

SM-AX76 SM-AX76-B



• Over Lock Nut Dimension: 142 mm for FH-MT410 / 148 mm for FH-MT410-B

ITEM NO.	SHIMANO CODE NO.	DESCRIPTION	FH-MT410		FH-MT510	
			INTERCHANGEABILITY			
1	Y3HU98010	Complete Hub Axle for FH-MT410				
	Y3HV98010	Complete Hub Axle for FH-MT410-B				
2	Y3HV98020	Right Hand Cap Unit				
3	Y3HV48000	Ball Bearing				
4	Y26D10000	Seal Ring				
5	Y3HV98030	Left Hand Nut w/Dust Cover				
6	Y3GD10000	Outer Seal Cap			A	
7	Y3HV98040	Freewheel Body Unit				B
8	Y3HV47000	Spacer				
9	Y27Y02000	Fixing Nut (M12)	A	A		
10	Y23098030	TL-HS37 Hub Spanner (17 mm)	A	A		
11	Y3B980000	Grease for FREEHUB 50g			A	

A: Same parts.

B: Parts are usable, but differ in materials, appearance, finish, size, etc.

Absence of mark indicates non-interchangeability.

Specifications are subject to change without notice.

Jun.-2020-4716

© Shimano Inc. |

SHIMANO